

PRX815XLF

15" Self-Powered Extended Low Frequency Subwoofer System

Features:

- ▶ Maximum SPL Output 131 dB Peak
- ▶ 15" Differential Drive® low-frequency driver for low-distortion and higher SPL
- ▶ 1500W highly efficient Class-D amplifier
- ▶ DSP input limiter circuit, crossover, dynamic limiting, and component optimization
- ▶ Wireless remote control of its onboard DSP EQ parameters via Wi-Fi. Control and configure your show from anywhere.
- ▶ Professional XLR-1/4" combination inputs and XLR loop-through
- ▶ Top panel M20 pole mount socket for sub/satellite configuration
- ▶ Injection molded handles with comfort rubber grips for easy transport
- ▶ Lightweight poplar plywood cabinets made structurally sound with tongue and groove joints and protected by JBL's tour proven DuraFlex™ finish



Application:

- ▶ The PRX815XLF extended low frequency subwoofer was designed and engineered to provide sub bass frequencies with accuracy and power. Used as a single sub in a sub/ sat system or in multiples as part of a scalable, large format sound reinforcement system, the PRX815XLF performs with exceptional efficiency and control. The subs are stackable and light-weight, ensuring quick set-ups and tear-downs. Due to their rugged construction, they are perfect for AV rental inventories. With the integrated stereo pass-thru this is the most powerful low-frequency complement to the PRX full-range systems. The addition of a polarity reverse option further enables system optimization. PRX800 subwoofers feature a standard M20 threaded pole cup that can accept most modern subwoofer-mounted speaker poles
- ▶ The PRX815XLF is a high performance self-powered subwoofer system with remote Wi-Fi control of onboard DSP EQ parameters. The PRX815XLF is comprised of a powerful 2275H Differential Drive® dual voice-coil and magnetic gap, woofer driven by a 1500 Watt Class-D power amplifier. Sophisticated DSP is at the core of a fully featured input section, providing user selectable cross-over functionality, polarity optimization, protection, dynamic limiting and discrete component optimization.
- ▶ All PRX800 cabinets are built from 18 mm, strong, light-weight poplar plywood made structurally sound with tongue and groove joints. All PRX800 Series cabinets are protected by JBL's tour proven DuraFlex™ finish. Grilles are made from dent-resistant 16 gauge steel and handles are made from light-weight glass-filled nylon for added strength and durability. All M10 suspension points are constructed from 14 gauge steel and have been tested with a yield-strength of 1000 lbs. Each.
- ▶ The amplifier input panel offers stereo inputs with XLR or 1/4 inch jack compatibility. A user selectable crossover ensures a smooth transition to full-range system connected to the stereo outputs. Signal present and limiter lights indicate the system status and assist in setting the optimum level via the level control knob.

Specifications:

System:

System Type:	Self Powered 15", two-way, bass-reflex
Maximum SPL Output:	131dB peak
Frequency Range (-10 dB):	36 Hz - 113 kHz
Frequency Response (± 3 dB):	40 Hz - 91 kHz
Input Connectors:	2 x Balanced XLR / 1/4 inch input, 2 x unbalanced RCA input
Input Impedance:	20K Ohms (balanced)
Signal Indicators:	Limit: Yellow LED indicates peak output has been reached and DSP limiter is acting Signal: Green LED indicates signal present Power: Blue indicates system has power and ready to pass audio
Dynamic Control (Input):	dbx Type IV™ limiter circuit
System Low Pass:	80 Hz
Loop out Crossover Frequency:	80Hz Digital 24db/octave Linkwitz-Riley Filter

Amplifier:

Design:	Highly efficient Class-D amplifier
Power Rating:	1500W
AC Power Input:	100V - 240V ~ 50/60 Hz

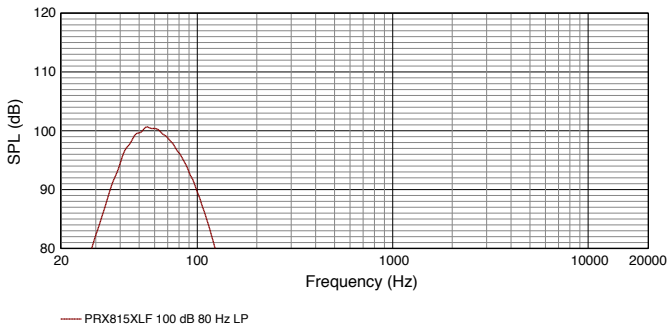
Speaker:

LF Driver:	1 x JBL 2275H (15 in) woofer
Enclosure:	Rectangular, 18 mm, birch-poplar mix
Transport:	2 x injection molded handle with backing cup
Finish:	Obsidian DuraFlex™ finish
Grille:	Powder coated, Obsidian, 16 gauge perforated steel with acoustically transparent black cloth backing.
Dimensions (H x W x D):	548 mm x 446 mm x 572 mm (21.6 in x 17.5 in x 22.5 in)
Net Weight:	26.3 kg (58.0 lb)
Gross Weight:	30.3 kg (66.8 lb)

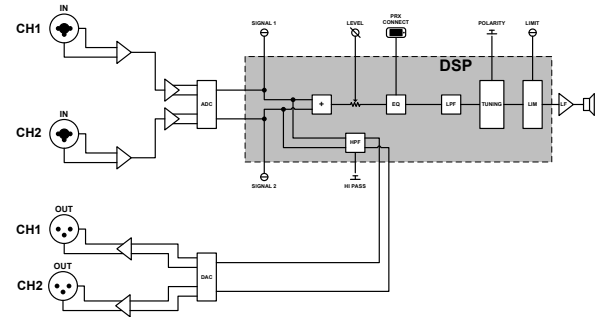
JBL continually engages in research related to product improvement. Some materials, production methods and design refinements are introduced into existing products without notice as a routine expression of that philosophy. For this reason, any current JBL product may differ in some respect from its published description, but will always equal or exceed the original design specifications unless otherwise stated.

► PRX815XLF 15" Self-Powered Extended Low Frequency Subwoofer System

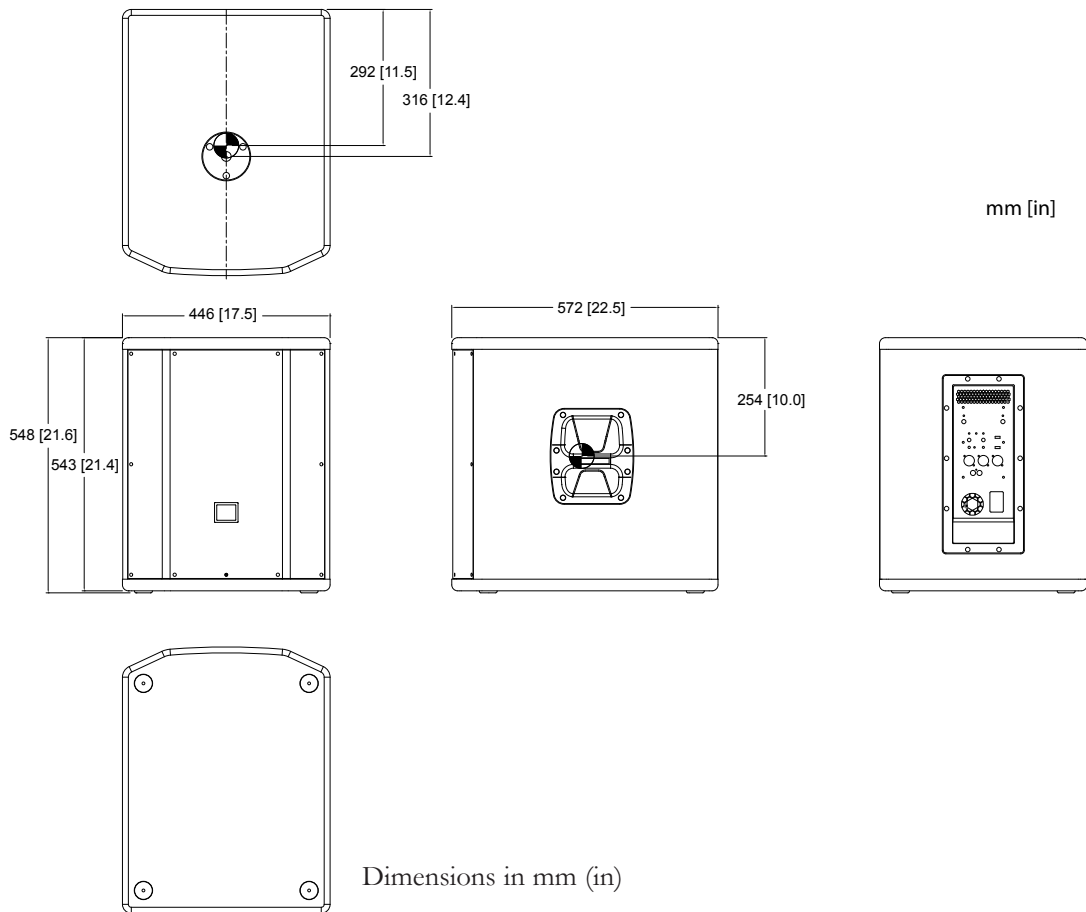
Frequency Response:



Block Diagram:



Dimensions:



JBL Professional
 8500 Balboa Boulevard, P.O. Box 2200
 Northridge, California 91329 U.S.A.
 © Copyright 2017 JBL Professional
www.jblpro.com

PN: 5075806
 SS PRX815XLFW
 CRP
 06/17