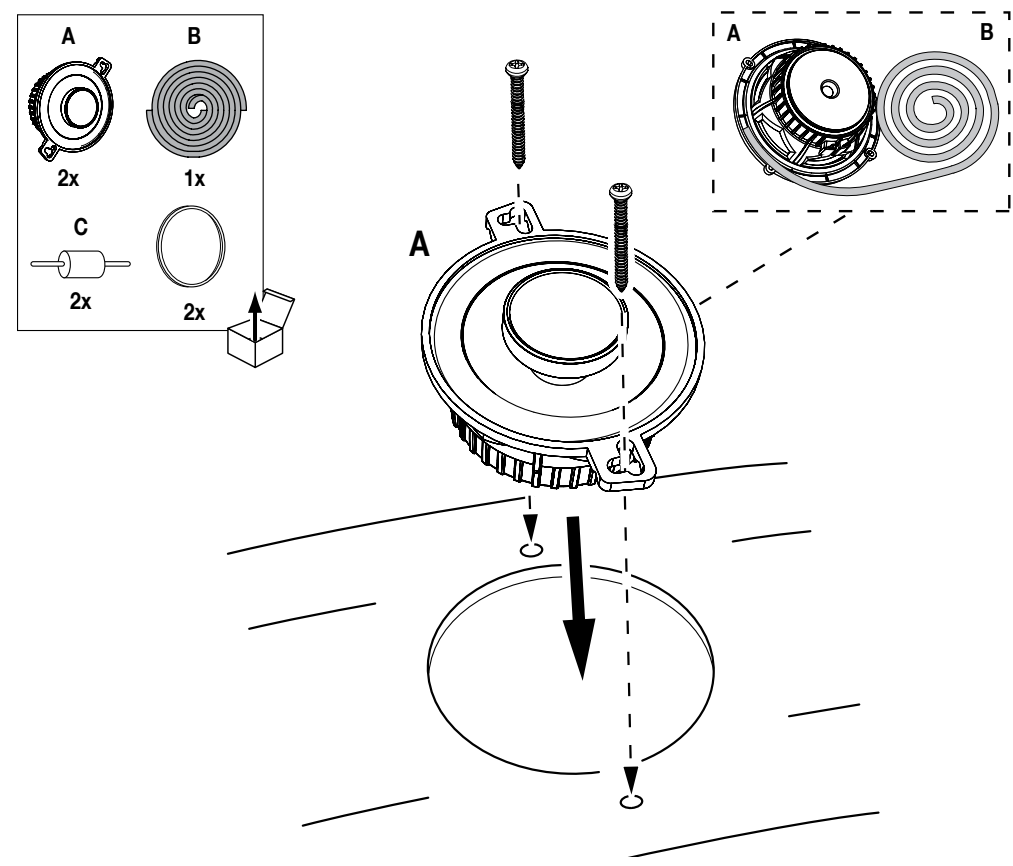
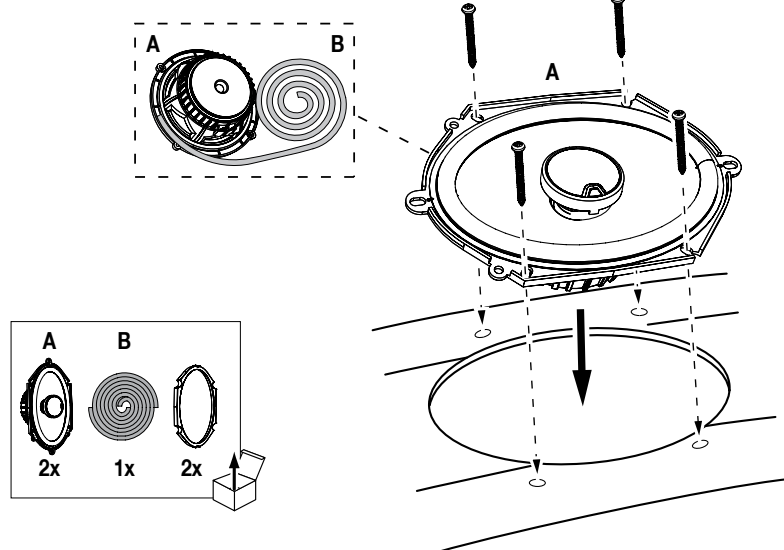


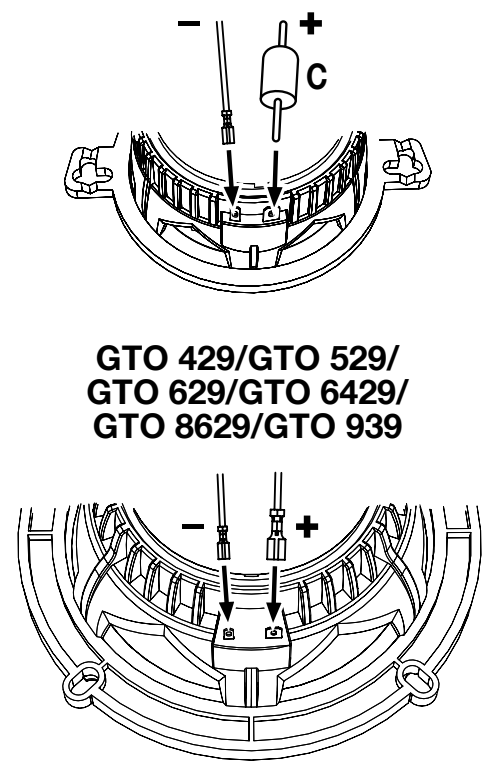
GTO 329



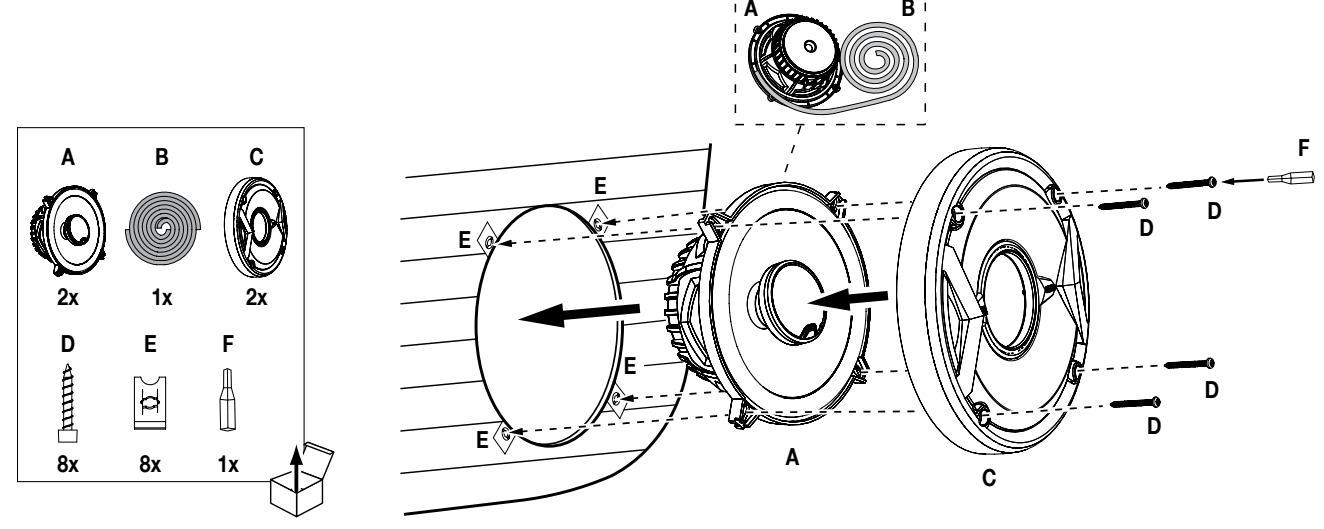
GTO 8629



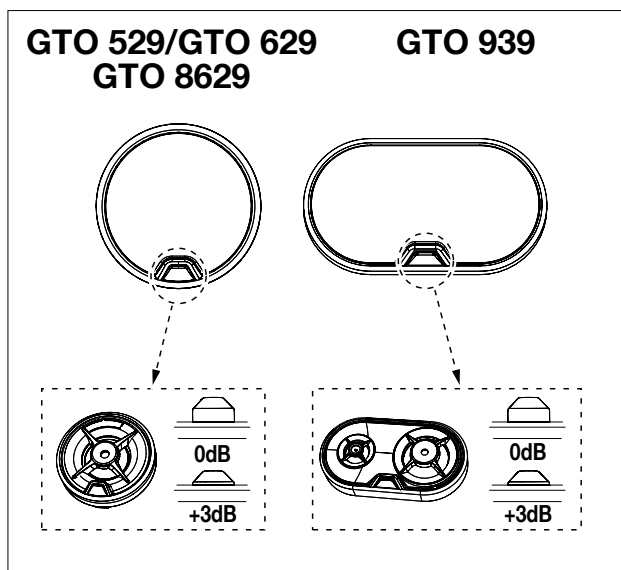
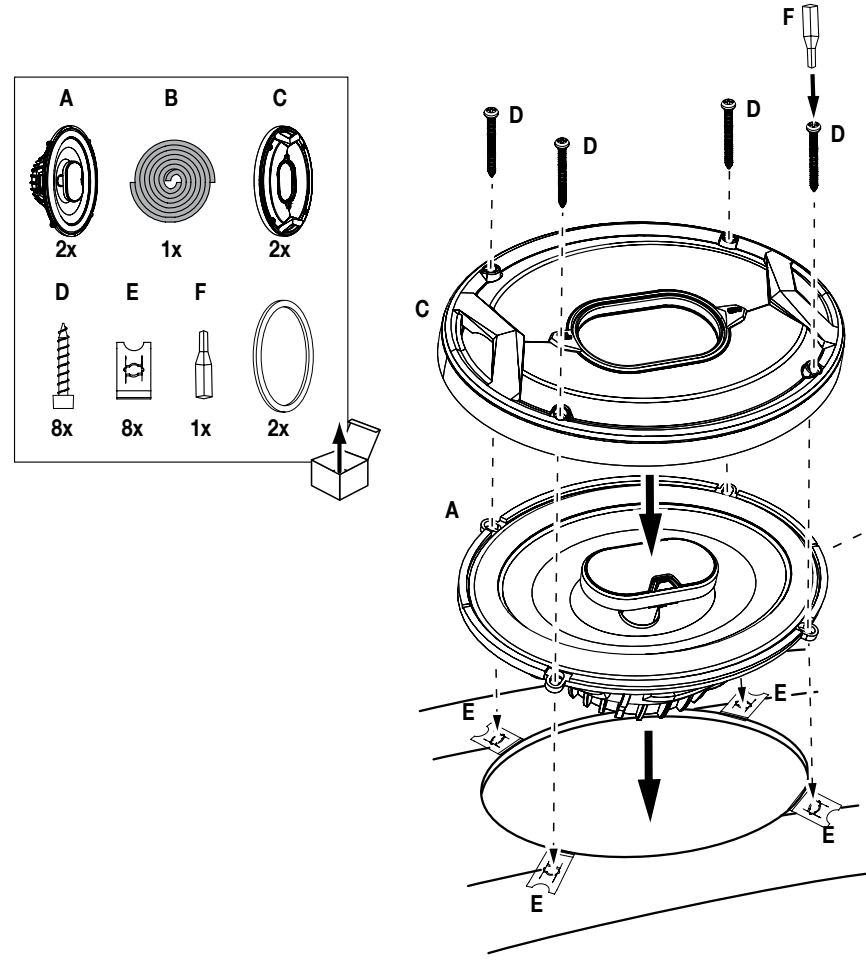
GTO 329



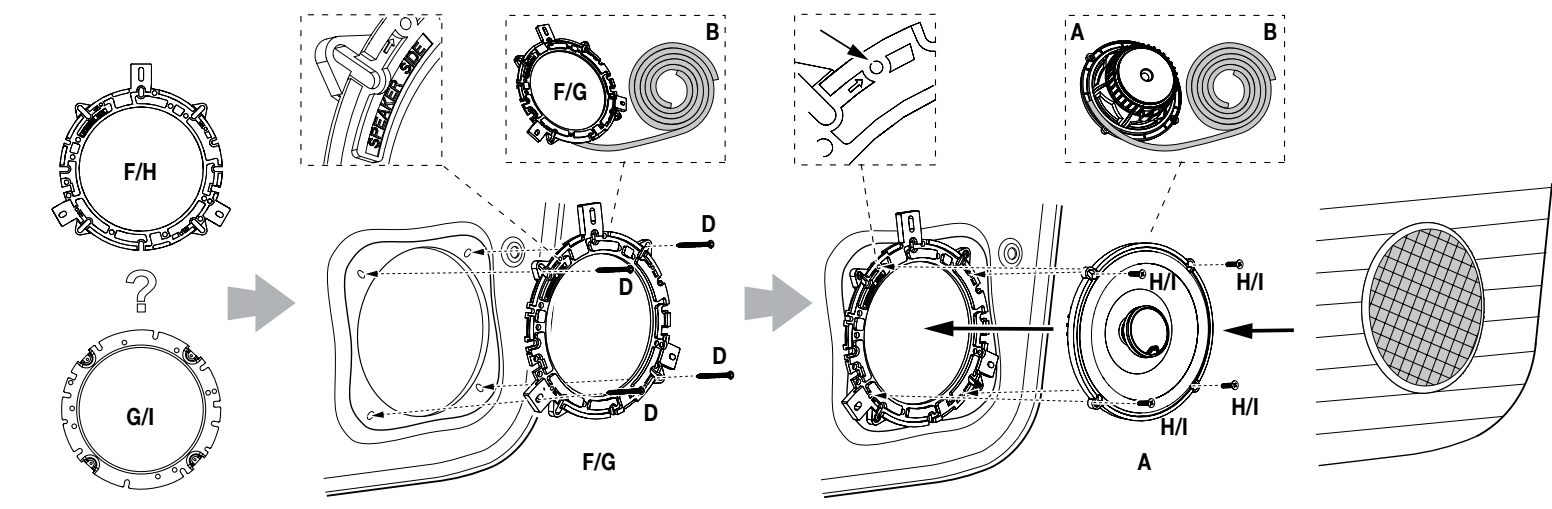
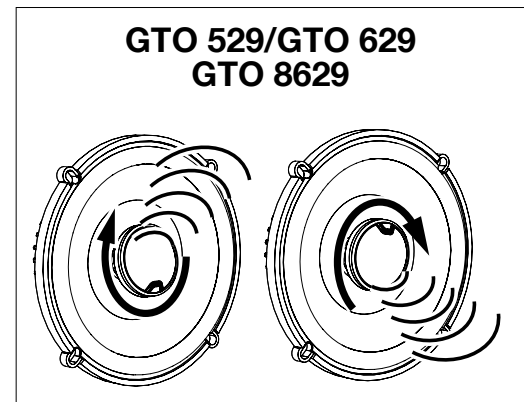
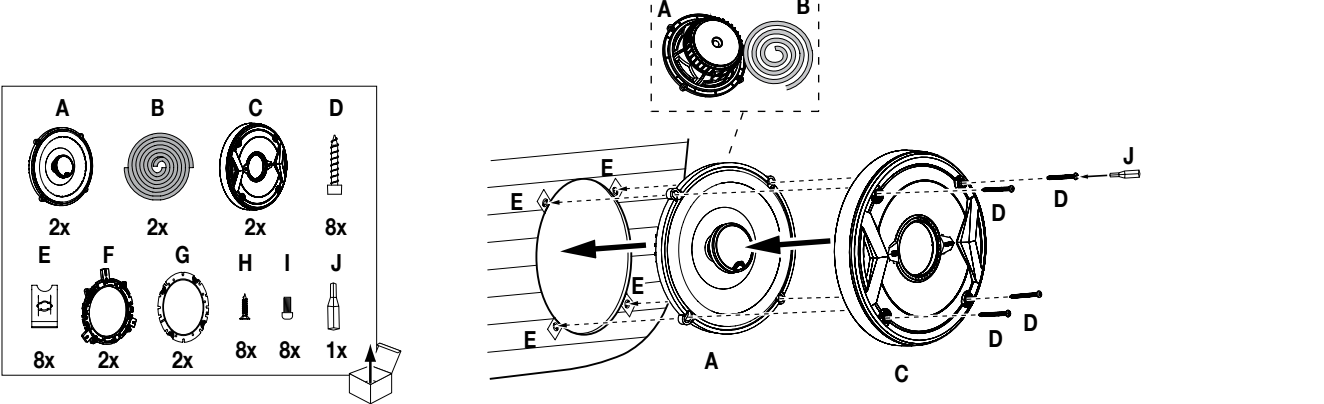
GTO 429/GTO 529



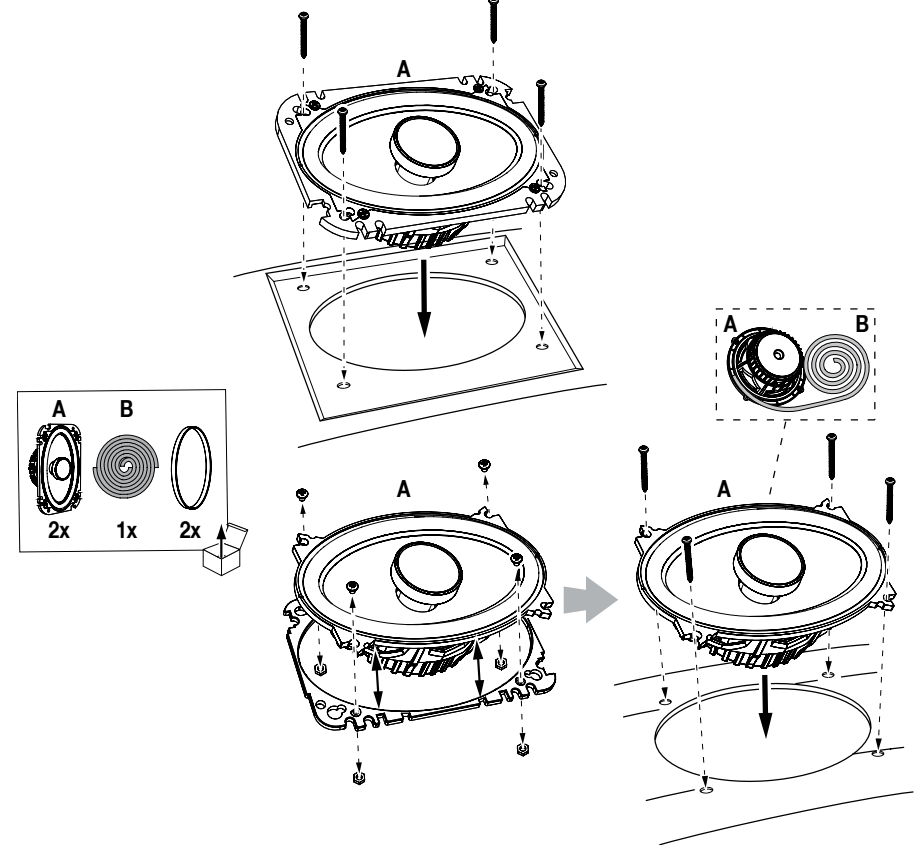
GTO 939



GTO 629



GTO 6429



GTO SERIES
GTO 329/GTO 429/GTO 529/GTO 629/
GTO 6429/GTO 8629/GTO 939
OWNER'S MANUAL

HARMAN International Industries, Incorporated
8500 Balboa Boulevard, Northridge, CA 91329 USA
© 2012 HARMAN International Industries, Incorporated. All rights reserved.
JBL and Grand Touring are trademarks of HARMAN International Industries, Incorporated.
JBL and Grand Touring are trademarks of HARMAN International Industries, Incorporated.
registered in the United States and/or other countries.
Features, specifications and appearance are subject to change without notice.
Part No. 950-0423-001 Rev. A

