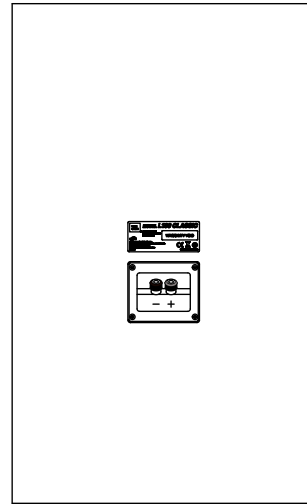
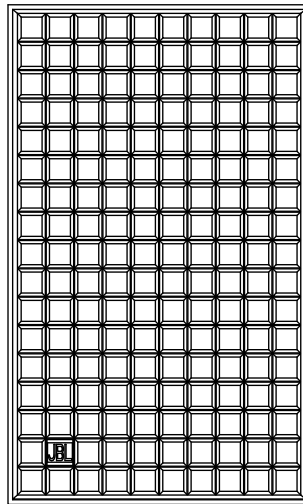
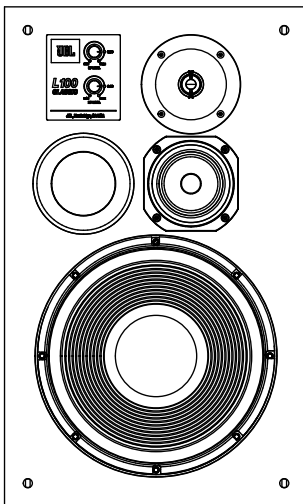




# *L100 Classic*

Iconic 3-Way Bookshelf Loudspeaker



**OWNER'S MANUAL**

## INTRODUCTION

Thank you for purchasing the **JBL® L100 Classic 3-Way Loudspeaker**

For more than 70 years, JBL has been providing audio equipment for concert halls, recording studios and movie theaters around the world and has become the trusted choice of leading recording artists and sound engineers. The legendary JBL 4310 professional studio monitor helped produce many of the most popular albums of the 1960s and '70s. The 4310 was the inspiration for the L100 home audio loudspeaker introduced in 1970, which became JBL's all-time best selling speaker. The L100 Classic is a modern interpretation of the original L100.

The new L100 Classic honors this storied legacy with its iconic 12-inch (300mm) 3-way configuration, but with all-new drivers, crossover network, enclosure, and features to bring the design up to the highest 21st-century performance standards. Utilizing a compact monitor-type footprint, the L100 Classic features advanced JBL transducers including the JW300PW-8 Pure Pulp cone woofer, the 105H-1 Polymer-coated Pure Pulp cone midrange, and the JT025TI1-4 Titanium tweeter.

The L100 Classic retains all of the performance attributes that endeared the original L100 to listeners in the '70's and '80s, such as exceptional dynamic range and contrast, clean and effortless high output, and precise high impact bass. The updated L100 Classic adds even greater detail resolution across the full bandwidth, lower distortion and more lifelike stereo imaging, particularly off-axis. The L100 Classic is sure to become a new legend among music lovers everywhere.

## PACKAGE CONTENTS

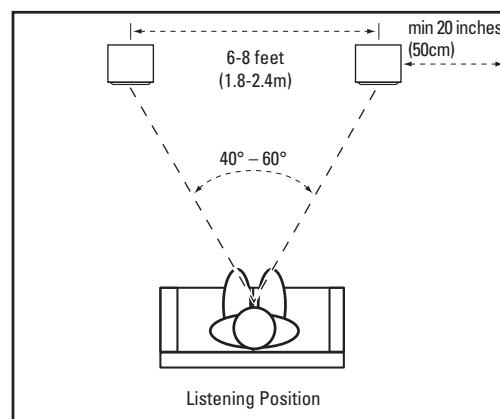
- One L100 Classic loudspeaker
- One Quadrex foam grille
- One L100 Classic Owner's Manual

## PLACEMENT AND POSITIONING

**CAUTION: The L100 Classic weighs 58.8 lb. (26.7 kg) each. Before placing the speaker on a shelf or platform, be sure that it is sturdy enough to support the speaker's weight.**

Before deciding where to place your speakers, survey your room and think about placement, using the illustration below as a guide.

- Avoid placing the speakers near power amplifiers, heat registers or other objects that generate large amounts of heat.
- Do not place the speakers in very humid or dusty places.
- Do not place the speakers in direct sunlight or where they will be exposed to other intense light.
- For best results, place the speakers 6–8 feet (1.8–2.4m) apart. If you set the speakers farther apart than this, angle them toward the listening position.
- The speakers will produce the most accurate stereo soundstage when the angle between the listener and the speakers is between 40 and 60 degrees.
- Generally, bass output will increase as the speaker is moved closer to a wall or corner. For best performance, we recommend that you place the speakers at least 20 inches (50cm) away from the sidewalls.
- The speaker will yield the best stereo imaging when oriented vertically.
- The L100 Classic may be stand mounted with optional JBL metal stands (model JBL JS-120, sold separately) that angle the speaker upward.
- If not using the optional stands with built-in angle, then we recommend you to position each speaker so that its tweeter is approximately at ear level.



## CONNECTIONS

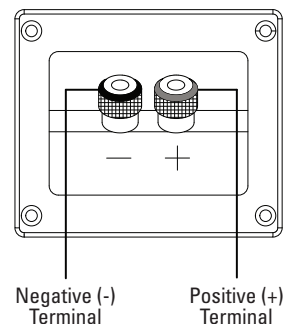
**CAUTION:** Make sure that all of the system's electrical components are turned OFF (and preferably unplugged from their ac outlets) before making any connections.

Speakers and amplifiers have corresponding positive and negative (“+” and “-”) connection terminals. The L100 Classic has color-coded connection terminals. The “+” terminal is red, while the “-” terminal is black. See the illustration on the right.

The L100 Classic is designed so that a positive voltage at the “+” (red) terminal will cause the speaker drivers to move outward (toward the room).

We recommend using a high-quality speaker cable with polarity coding. The side of the wire with a ridge or other coding is usually considered positive polarity (“+”).

To ensure proper polarity, connect each “+” terminal on the back of the amplifier or receiver to the respective “+” (red) terminal on each speaker. Connect the “-” (black) terminals in a similar way. See your receiver or amplifier's owner's manual to confirm its connection procedures.

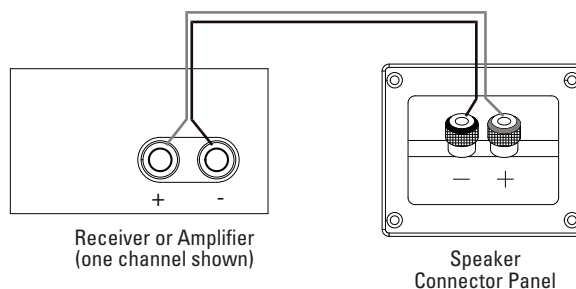


### BASIC SINGLE-WIRE CONNECTION

Connect the amplifier to each speaker as shown in the illustration on the right.

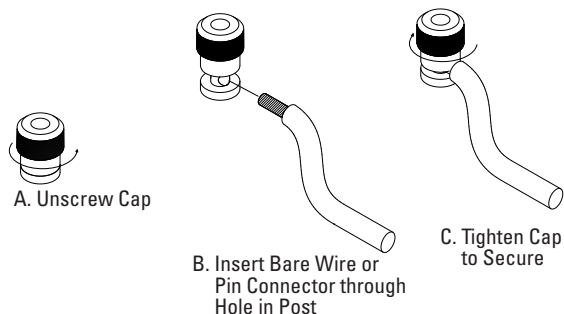
**IMPORTANT:** Do not reverse polarities (i.e., “+” to “-” or “-” to “+”) when making connections. Doing so will cause poor stereo imaging and diminished bass performance.

The L100 Classic's gold-plated speaker terminals can accept a variety of wire connector types: bare wire, spade connectors, pin connectors and banana connectors.



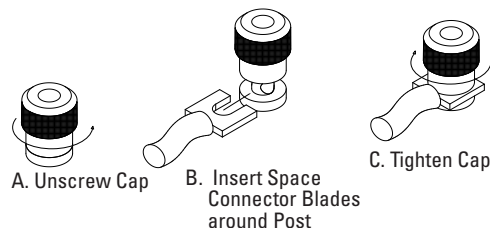
### USING BARE WIRE OR PIN CONNECTORS:

**IMPORTANT:** Make sure that the (+) and (-) wires or pins do not touch each other or the other terminal. Touching cables can cause a short circuit that can damage your receiver or amplifier.

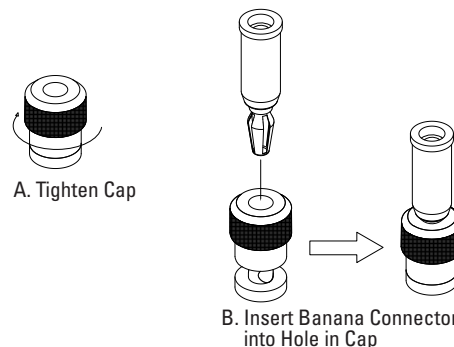


### USING SPADE CONNECTORS:

**IMPORTANT:** Make sure the (+) and (-) spade connector blades do not touch each other or the other terminal. Touching blades can cause a short circuit that can damage your receiver or amplifier.



### USING BANANA CONNECTORS:



## CONTROLS/ADJUSTMENTS

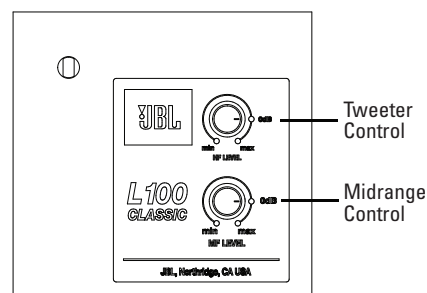
The L100 Classic has front-panel adjustments that let you balance the levels of the midrange driver (MF) and tweeter (HF) relative to the woofer.

You can use these controls to adjust the speaker's sound according to your room's acoustics, or your personal taste. The "0dB" default position is a good place to start. Whatever sounds best to you in your room is the right setting.

As with most speakers, after you start playing the L100 Classic it will take the drivers' suspensions several weeks to "break in" and achieve optimum performance. During this period, the balance between the woofer, midrange, and tweeter may change, so we recommend

that you adjust the midrange and tweeter controls again after the break-in period.

**NOTE:** There is a protective plastic film on the front control panel label that may be removed.



## CARING FOR YOUR SPEAKERS

- Wipe the cabinet with a clean, dry cloth to remove dust. Damp cloths or cleaning paper may dull the cabinet's finish.
- Do not use volatile liquids such as benzene, paint thinner, alcohol, etc., on the cabinet. Do not spray insecticide near the cabinet.
- To remove dust from the foam grille, use a vacuum cleaner set to low suction.
- Do *not* wash the grille in water.
- If the surfaces of the woofer and midrange cones become dusty, you can carefully sweep them clean with a soft, dry calligraphy brush or paintbrush. Do not use a damp cloth.
- NEVER touch *anything* to the tweeter dome.

## SPECIFICATIONS

System Type	3-way bookshelf loudspeaker
Woofer	12-inch (300mm) Pure Pulp cone (JW300PW-8)
Midrange	5-1/4 inch (130mm) Polymer-coated, Pure Pulp cone (105H-1)
Tweeter	1-inch (25 mm) Titanium dome with soft surround (JT025T11-4)
Impedance	4 ohms
Recommended Amplifier Power	25-200 Watts RMS
Sensitivity (2.83V/1m)	90dB
Frequency Response	40Hz-40kHz (-6dB)
Crossover Frequencies	450Hz, 3.5kHz
Controls	Attenuators for MF and HF Drivers
Connector Type	Five-way gold-plated Binding Posts
Finish	Genuine walnut veneer enclosure with Quadrex foam grille in a choice of Black, Burnt Orange or Dark Blue
Dimensions (H x W x D)	25.06" H x 15.34" W x 14.625" D (636.6mm x 389.7mm x 371.5mm)
Weight	58.5 lb (26.7 kg) each

Please visit JBL.COM / JBLSYNTHESIS.COM for additional language support on the user manual.

Veillez visiter JBL.COM / JBLSYNTHESIS.COM pour obtenir le mode d'emploi en d'autres langues.

Para obter o manual do usuário em outros idiomas, acesse JBL.COM / JBLSYNTHESIS.COM

Ga naar JBL.COM / JBLSYNTHESIS.COM voor de handleiding in andere talen.

Gå til JBL.COM / JBLSYNTHESIS.COM for bruksanvisning på flere språk.

Если вам требуется дополнительные версии руководства пользователя на других языках, посетите сайт JBL.COM / JBLSYNTHESIS.COM.

別の言語に対応したユーザーマニュアルを読むには、JBL SYNTHESIS.COMにアクセスしてください。

사용자 설명서에 대한 추가 언어 지원은 JBL.COM / JBLSYNTHESIS.COM에서 확인하십시오

请访问 JBL.COM / JBLSYNTHESIS.COM 以获取其他语言版本的用户手册。

Visita JBL.COM / JBLSYNTHESIS.COM para obtener el manual de usuario de soporte en idiomas adicionales.

Weitere Sprachfassungen der Bedienungsanleitung findest Du unter JBL.COM / JBLSYNTHESIS.COM.

Si prega di visitare JBL.COM / JBLSYNTHESIS.COM per i manuali di istruzioni in altre lingue.

Jos tarvitset ylimääräistä kieleen liittyvää tukea käyttöohjeesta, käy osoitteessa JBL.COM / JBLSYNTHESIS.COM.

Gå ind på JBL.COM / JBLSYNTHESIS.COM for at se betjeningsvejledningen på flere sprog.

Gå till JBL.COM / JBLSYNTHESIS.COM för mer information om språk i användarmanualen.

Торговая марка:	JBL
Назначение товара:	Пассивная акустическая система
Изготовитель:	Харман Интернешнл Индастриз Инкорпорейтед, США, 06901 Коннектикут, г.Стэмфорд, Атлантик Стрит 400, офис 1500
Страна происхождения:	Индонезия
Импортер в Россию:	ООО "ХАРМАН РУС СиАйЭс", Россия, 127018, г.Москва, ул. Двинцев, д.12, к 1
Гарантийный период:	1 год
Информация о сервисных центрах:	www.harman.com/ru тел. +7-800-700-0467
Срок службы:	5 лет
Срок хранения:	не ограничен
	Товар не подлежит обязательной сертификации
Дата производства:	Дата изготовления устройства определяется по двум буквенным обозначениям из второй группы символов серийного номера изделия, следующих после разделительного знака «-». Кодировка соответствует порядку букв латинского алфавита, начиная с января 2010 года: 000000-MY0000000, где «М» - месяц производства (А - январь, В - февраль, С - март и т.д.) и «Y» - год производства (А - 2010, В - 2011, С - 2012 и т.д.).

#### 产品中有害物质的名称及含量

部件名称	目标部件	有害物质或元素					
		铅(Pb)	汞(Hg)	镉(Cd)	六价铬(Cr(VI))	多溴联苯(PBB)	多溴二苯醚(PBDE)
电路板	印刷电路板, 电路板上的电子零件 (不包括特定电子零件), 内部相关连接线	X	0	0	0	0	0
箱体	外壳, 面板, 背板等	X	0	0	0	0	0
特定电子零部件	变压器, 保险丝, 大型电解电容, 电源插座	X	0	0	0	0	0
附件	电线, 说明书, 包装等	X	0	0	0	0	0

本表格依据SJ/T 11364的规定编制

○: 表示该有害物质在该部件所有均质材料中的含量均在GB/T 26572规定的限量要求以下。

X: 表示该有害物质至少在该部件的某一均质材料中的含量超出GB/T 26572规定的限量要求。



在中华人民共和国境内销售的电子电气产品上将印有“环保使用期”(EPUP)符号。圆圈中的数字代表产品的正常环保使用年限。





HARMAN International, Incorporated  
8500 Balboa Boulevard, Northridge, CA 91329 USA  
[www.jblsynthesis.com](http://www.jblsynthesis.com)

© 2018 HARMAN International Industries, Incorporated. All rights reserved.

JBL is a trademarks of HARMAN International Industries, Incorporated, registered in the United States and/or other countries.

Features, specifications and appearance are subject to change without notice.

Part No. 950-0557-001