

JBL CINEMA SB150

Home Cinema 2.1 soundbar with wireless subwoofer



OWNER'S MANUAL



JBL CINEMA SB150

TABLE OF CONTENTS

INTRODUCTION	3
ITEMS INCLUDED	3
JBL CINEMA SB150 TOP PANEL CONTROLS	4
JBL CINEMA SB150 SOUNDBAR REAR PANEL CONTROLS AND CONNECTIONS	4
JBL CINEMA SB150 SUBWOOFER CONTROLS AND CONNECTIONS	4
REMOTE CONTROL FUNCTIONS	5
PLACING THE JBL CINEMA SB150	5
OPERATION	6
TURNING THE JBL CINEMA SB150 ON AND OFF	6
OPERATING THROUGH BLUETOOTH®	7
ADJUSTING THE SYSTEM VOLUME	7
SURROUND MODE BUTTON	7
PROGRAMMING JBL CINEMA SB150 TO RESPOND TO YOUR TV REMOTE	7
TROUBLESHOOTING	8
SPECIFICATIONS	9

JBL CINEMA SB150

Introduction

Thank you for choosing this JBL product. The JBL CINEMA SB150 powered soundbar speaker system is a complete, integrated sound system that will create an extraordinarily realistic cinema experience in your own living room. The powered soundbar unit can mount on a wall or sit on a shelf and comes complete with all of the cables required to connect it to your TV, your cable/satellite tuner and disc player. The wireless subwoofer unit supplies all of your entertainment's drama and impact, and can be placed anywhere without needing to be connected to the soundbar unit.

We're confident that this JBL system will provide every note of enjoyment that you expect – and when the time comes to purchase additional audio equipment for your home, car or office, you'll choose JBL products.

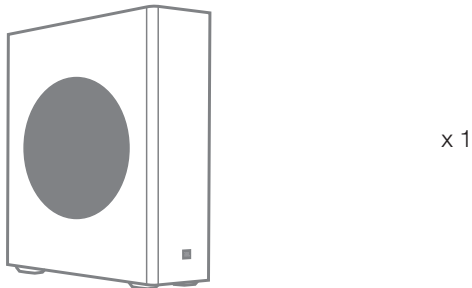
This quick-start guide contains all the information you need to set up, connect and adjust your new speaker system. For more in-depth information, please go to our website: www.jbl.com.

Items included

Soundbar



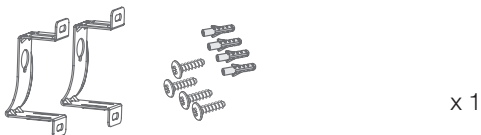
Wireless subwoofer



Remote



Wall mount accessories



Optical cable



Analog aux cable



Soundbar power cable

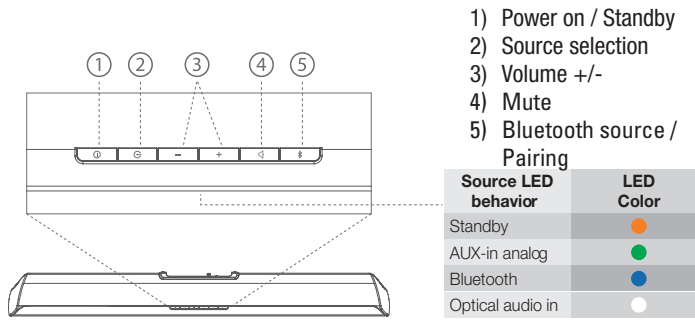


Subwoofer power cable



JBL CINEMA SB150

JBL CINEMA SB150 TOP PANEL CONTROLS



Power Button: The Power button toggles the JBL CINEMA SB150 between ON and Standby. When the JBL CINEMA SB150 is in Standby mode (the LED indicator is amber), press this button to turn the system ON (the button LED indicator turns white).

NOTE: The JBL CINEMA SB150 and wireless subwoofer will switch into standby mode after 10 minutes of inactivity.

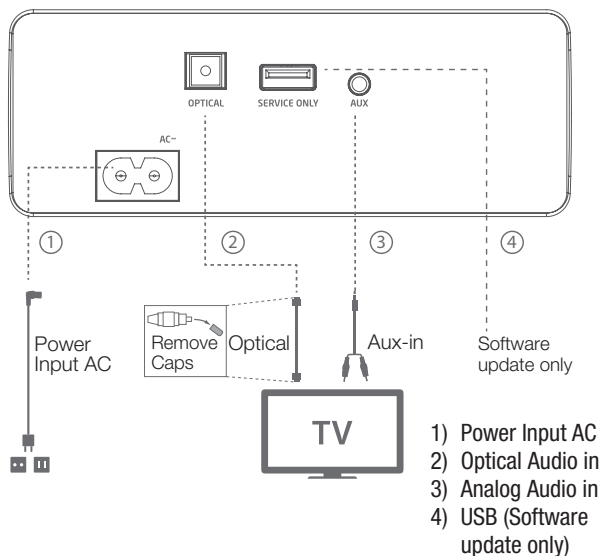
Source Button: The Source can be changed by pressing the Source Selection Button. Cycle through options to select your preferred Source in this order: AUX > OPTICAL > BLUETOOTH > AUX.

Volume Up/Down Buttons: Press the (-) button to reduce the volume, press the (+) button to increase the volume.

Mute Button: Press the mute button to mute the system.

Bluetooth® (BT): The Bluetooth button is used to set the JBL CINEMA SB150 into Bluetooth mode. You can pair the system with Bluetooth-enabled devices using this button (see page 5).

JBL CINEMA SB150 SOUNDBAR REAR PANEL CONTROLS AND CONNECTIONS



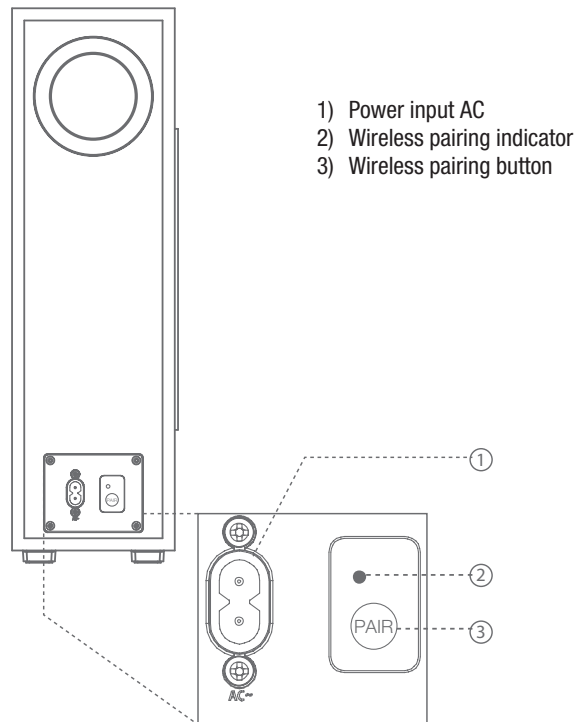
Power Input AC: Connect the supplied AC power cable to this input.

Aux input (Analog Audio in): You can connect an analog audio device to the CINEMA SB150 by using the supplied 3.5 mm to RCA cable.

Optical (Digital Audio in): If your TV, disc player or cable/satellite tuner has an optical digital output, use the included optical cable to connect it here. Once a Dolby Digital audio stream is sensed by the soundbar, its Dolby Digital decoding becomes active.

USB Port: For software update only.

JBL CINEMA SB150 SUBWOOFER CONTROLS AND CONNECTIONS



Wireless Pairing button and LED indicator:

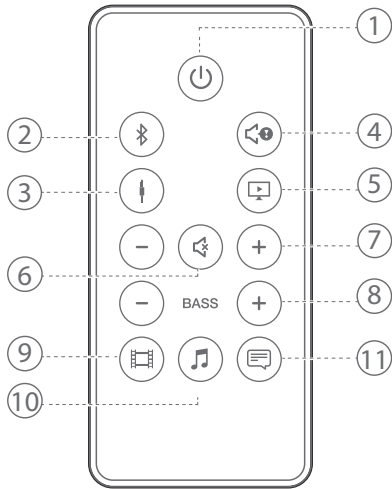
Press this button to initiate wireless pairing between the subwoofer and the soundbar. See Pairing the Units for Wireless Operation, on page 5, for more information.

- The LED lights blue continuously when the subwoofer is on and linked to the soundbar.
- The LED slowly flashes blue when the subwoofer is on and the wireless link is not established between the subwoofer and the soundbar.
- The LED rapidly flashes blue during the wireless pairing process.

Power Input AC: Connect the supplied AC power cable to this input.

JBL CINEMA SB150

REMOTE CONTROL FUNCTIONS



The following command buttons are included with the remote control:

1. Power on/Standby
2. Bluetooth
3. Aux-In (Analog)
4. Optical (Digital)
5. Audio Feedback
6. Mute
7. Volume +/-
8. Bass Volume +/-
9. Movie EQ
10. Music EQ
11. News EQ

Power on/Standby: To bring the JBL CINEMA SB150 to operational mode from Standby mode, press the Power button (the power indicator on the JBL CINEMA SB150 will turn green). To put the system in the Standby mode, press the power button while the system is switched ON (the power indicator on the JBL CINEMA SB150 will turn amber). If you do not press the Power button, the JBL CINEMA SB150 will automatically go into Standby mode approximately 10 minutes after the audio input signal stops.

Bluetooth: This button is used to set the soundbar into Bluetooth mode. It is also the same button that will be used to pair your system with Bluetooth-enabled devices. Use a Short Press to switch to Bluetooth source. Press and hold to make the unit go into pairing mode.

NOTE: JBL CINEMA SB150's Bluetooth device name is CINEMA SB150.

Aux-In (Analog): Press this button to select an Analog source.

Optical (Digital): Press this button to select a Digital source.

Audio Feedback: The Audio Feedback button on the remote control enables/disables audio feedback. When enabled, this feature will add an audible tone to help you recognize when these other features are engaged:

1. Bluetooth
2. Harman Volume on/off
3. Subwoofer volume control
4. Audio feedback on/off

When Audio Feedback is disabled, you will not hear any audible tone when using these functions.

Mute: Press the mute button to mute the sound, press the mute button again or any Volume button to release the mute control.

Volume +/-: Press the "+" button to increase volume; press the "-" button to decrease volume.

Bass Volume +/-: The Bass +/- buttons on the remote control increase and decrease the bass levels.

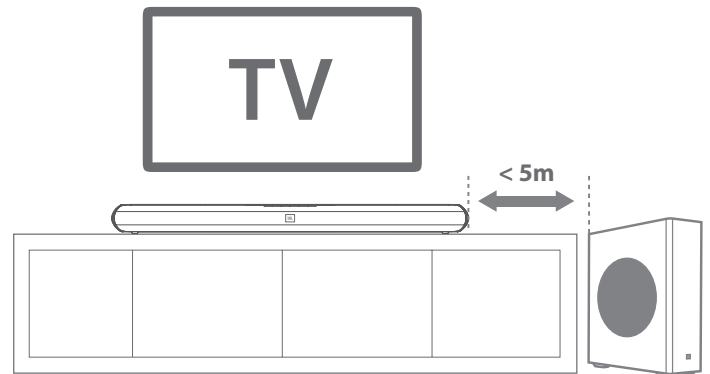
Movie EQ: Use this button to switch sound setting of system into Movie EQ.

Music EQ: Use this button to switch sound setting of system into Music EQ.

News EQ: Use this button to switch sound setting of system into News EQ.

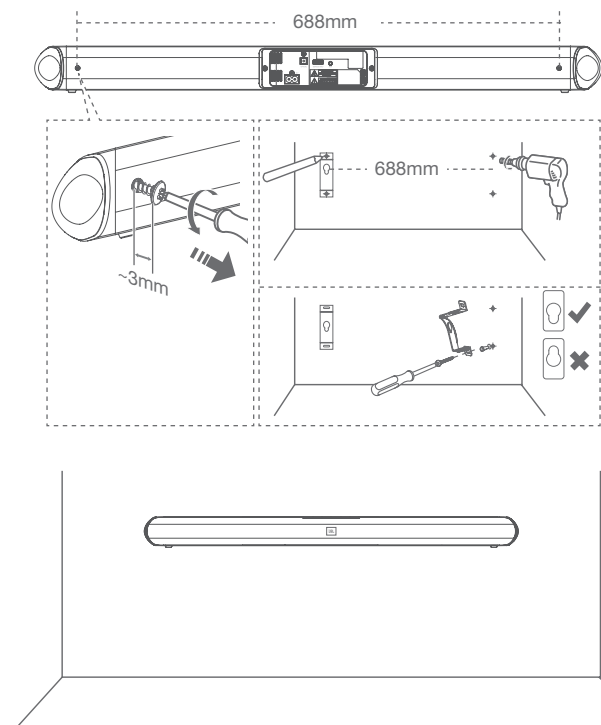
PLACING THE JBL CINEMA SB150

Placing the soundbar on a table



If your TV is placed on a table, you can place the soundbar on the table directly in front of the TV stand, centered with the TV screen. As long as the surface of the table is flat, the soundbar will rest on its metal feet.

Wall-mounting the soundbar



If your TV is attached to a wall, you can use the included wall-mount bracket to mount the soundbar on the wall.

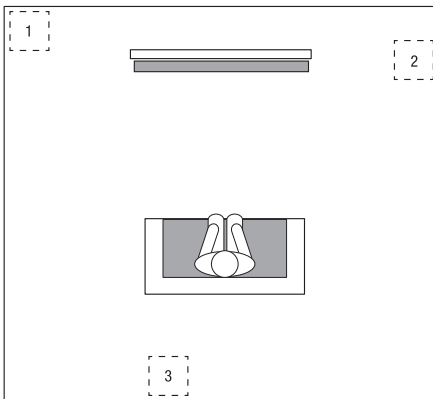
JBL CINEMA SB150

1. Determine the location for the soundbar on the wall.
2. Hold the bracket against the wall as a template and mark the locations of the wall-mount bracket holes on the wall. The three holes should be evenly spaced 7-1/16" (18cm) apart, and the bracket slots are designed to accept 4mm screws. Make sure that the holes are at the same height. See the illustration above. Mark three bracket hole locations: 7-1/16" (18cm) apart.
3. Making sure that the bracket's flat side is against the wall, attach the wall-mount bracket to the wall at the locations you marked, using hardware that is appropriate for the wall's construction and materials. Note that the soundbar weighs 7.3 lb (3.3kg). Be sure to use hardware that can support this weight.
4. After reading the Connections section on page 4, connect all cables to the soundbar.
5. Attach the soundbar to the bracket by sliding the bracket's upper tabs into the slots on the back of the soundbar. The soundbar's slots allow you to adjust the soundbar's angle on the wall to ensure that it is level. Insert tabs on bracket into grooves in soundbar.

Subwoofer placement

The performance of a subwoofer is directly related to its placement in the listening room and its physical position relative to the other speakers in the system. While it is true that, in general, our ears do not hear directional sounds at the low frequencies where subwoofers operate, remember that – when installing a subwoofer within the limited confines of a room – the reflections, standing waves and absorptions generated within the room will strongly influence the subwoofer system's overall performance. As a result, the specific location of the subwoofer in the room becomes important to the amount and quality of bass that is produced.

IMPORTANT: Make sure that the subwoofer's rear panel is at least 150 mm or 6" away from the wall to allow for proper operation.



You may place wireless subwoofer in the positions as represented in the above figure.

- Placing it in a corner that is position (1) will maximize the amount of bass in the room. However, corner placement can also increase the destructive effect of the standing waves on bass performance. This effect can vary depending on the listening position – some listening positions may yield very good results while others may have too much (or too little) bass at certain frequencies.
- Placing the subwoofer along the same plane as the soundbase – position (2) – can produce the best integration between the sound of the subwoofer and the soundbase. In some rooms, the best performance can be resulted by placing the subwoofer behind the listening position (3).

You can experiment with subwoofer placement by temporarily placing the subwoofer in the listening position and playing music with strong bass content. Move it to various locations in the room while the system is playing until you determine where the location of the best bass performance occurs. Place the subwoofer in that location.

OPERATION

Turning the JBL CINEMA SB150 ON and OFF

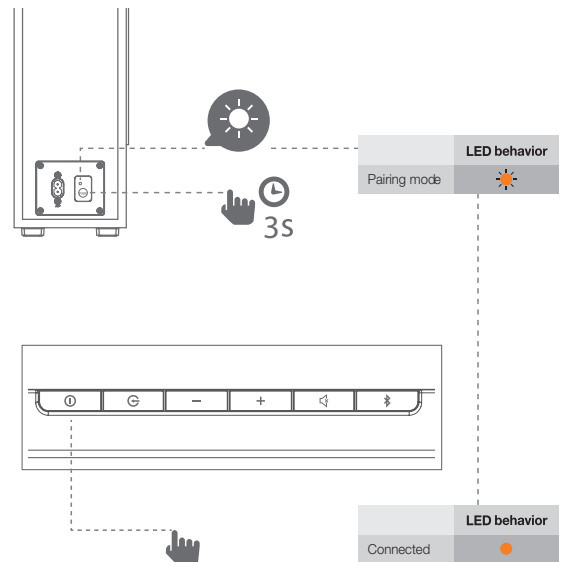
First, make certain that the rear panel power switch is turned ON. Then, short press the JBL CINEMA SB150's Power button either on the soundbar or the remote. To put the JBL CINEMA SB150 into Standby manually, short press the Power button either on the soundbar or the remote again.

Auto turn-off: The JBL CINEMA SB150 will automatically enter into Standby mode if no audio signal is detected at any of its source input connections for approximately 10 minutes.

Turning the subwoofer ON and OFF

Once the subwoofer and soundbar have been paired (see Pairing the Units for Wireless Operation, below) the subwoofer will turn on when the soundbar turns on and will remain on for approximately one minute after the soundbar enters the Standby mode, or for approximately 10 minutes after the audio signal ceases.

Pairing the Subwoofer to the soundbar

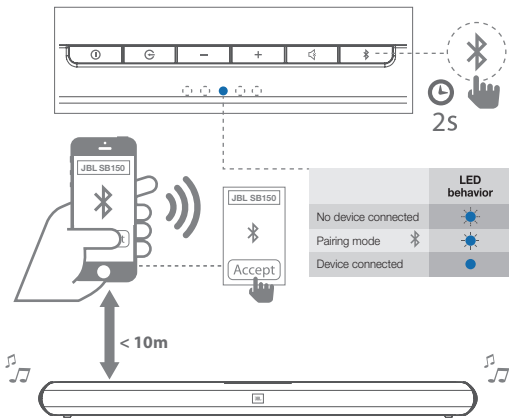


To pair the units, press the pairing button on subwoofer for more than 3 seconds to pair the subwoofer to the soundbar (Ensure the soundbar is in STANDBY mode). The units will connect to each other.

NOTE: The maximum wireless operating distance between the soundbar and subwoofer is approximately 50 feet (15.3m).

JBL CINEMA SB150

Operating through Bluetooth®



To wirelessly stream audio to the soundbar from a Bluetooth-enabled device:

1. Confirm that the JBL CINEMA SB150 is in the Bluetooth pairing mode (the Bluetooth button LED will be flashing blue). If the LED is not flashing blue, press and hold the Bluetooth button until its LED starts flashing blue.
2. Place your Bluetooth-streaming device in pairing mode.
3. Use your device's Bluetooth-pairing menu to pair it with the JBL CINEMA SB150. The system will appear as "CINEMA SB150" in the list of Bluetooth available devices. When the JBL CINEMA SB150's Bluetooth button LED illuminates constantly, it is paired with your device and you can stream audio via Bluetooth from the device to the JBL CINEMA SB150.

To listen to audio from the Bluetooth device, press the Bluetooth source button on the JBL CINEMA SB150 or remote to activate the source. If the JBL CINEMA SB150 is in Standby mode, you can automatically wake up the system by starting to stream an audio Bluetooth signal to the JBL CINEMA SB150 as long as your device has already been paired with the JBL CINEMA SB150.

To disconnect the Bluetooth device, press and hold the JBL CINEMA SB150's Bluetooth button until the LED begins flashing.

NOTE:

- You can manually switch sources to the paired Bluetooth device by pressing the JBL CINEMA SB150's Bluetooth button.
- If you switch the JBL CINEMA SB150 to a different source while a paired Bluetooth device is streaming to the system, the JBL CINEMA SB150 will send a STOP command and the Bluetooth device will stop streaming.
- While pairing the Bluetooth device for the first time, it may reset the volume level to maximum.

Adjusting the System Volume

For the best sound, we recommend turning your TV's built-in speakers off. Consult your TV's owner's manual to find out how to do this. If there is no way to turn your TV's speakers off, you can adjust the TV's volume so that your JBL CINEMA SB150 system will always supply most of the sound:

1. Using the volume buttons on your TV, turn its volume all the way down.
2. Use the JBL CINEMA SB150's Volume Up/Down buttons to set the sound to a comfortable listening level. This way, your JBL CINEMA SB150 system should always be louder than your TV speakers.

IMPORTANT: If you play the JBL CINEMA SB150 at more than 50% of max volume it will automatically reset at 50% of the max volume when it is turned off using either the power button or the auto turn off function.

Surround Mode Button

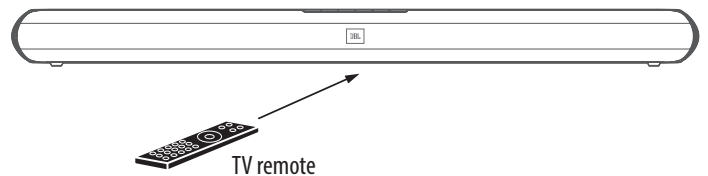
Press the soundbar's or remote's Surround Mode indicator to switch the sound between normal stereo and surround sound providing a complete surround-sound experience for anyone sitting in front of and several feet away from the soundbar. Although it is particularly effective when watching movies, you can also take advantage of the Surround setting for adding to your music-listening experience.

Programming JBL CINEMA SB150 to Respond to Your TV Remote

You can program the JBL CINEMA SB150 to make it respond to your TV remote's power, mute, volume up and volume down commands. This programming lets you control power and volume functions of your JBL CINEMA SB150 soundbar with your TV remote. Before beginning to program the JBL CINEMA SB150, have your TV remote in hand. We recommend sitting down in front of the soundbar.

NOTE: Some steps will time out, so read through this entire process before you begin.

Have the TV remote in hand. When you start programming the remote, be ready to aim the TV remote to the front of the soundbar from about 300mm–900mm (12–36 inches) away.



To program the power, volume down, volume up and mute commands:

1. Ensure that the JBL CINEMA SB150 is ON.
2. On the soundbar, press and hold the top-panel Surround button until the LED flashes amber. If the LED does not flash after three seconds, release the buttons and try again.
3. Press the soundbar top-panel button you want to program (Power, Volume Down, Volume Up, Volume Down and Up simultaneously for Mute).
4. Aim the TV remote at the front of the soundbar and slowly press the corresponding button on the top-panel button until the Surround button on the soundbar flashes white for one second. This indicates that the programming operation has been successful.
5. To exit the learning mode (at any time or when the learning is complete), press and hold the soundbar Surround button until the amber LED stops flashing.

NOTE: If you would like to program a new TV remote control or you are missing a command, restart the whole process.

To reset the JBL CINEMA SB150 remote settings:

1. Press the top-panel power button to enter Standby mode (amber color indicator)
2. Press and hold the Surround and Volume (–) buttons simultaneously

Once factory defaults are restored, the JBL CINEMA SB150 surround button will flash white for one second, then the unit will enter into operational mode.

JBL CINEMA SB150

TROUBLESHOOTING


If your JBL CINEMA SB150 system does not perform the way you think it should, check whether the problem is covered in this section before contacting your dealer or a JBL representative.

Problems	Solutions
If the soundbar does not turn ON	<ul style="list-style-type: none"> • Check if the soundbar power supply's AC cord is plugged into a working AC outlet and that the power supply is plugged into the soundbar.
If the subwoofer does not turn ON	<ul style="list-style-type: none"> • Check if the subwoofer's power cord is plugged into a working AC outlet. • Press the Power switch of the subwoofer. • Check if the subwoofer's AC fuse has blown. See Subwoofer Rear Panel Controls.
If there is no sound coming from both the soundbar and the subwoofer	<ul style="list-style-type: none"> • Check if soundbar is ON (the Power Indicator should be white). • Check if the cable connecting the TV or other source component to soundbar is properly connected at both ends. • Check if the soundbar's Source Selector is set to the correct source and that source is playing an audio signal. • Check if the system is not muted. If the system is muted, press the volume buttons to un-mute the system. • Check if the soundbar's volume is not turned all the way down (the lowest setting of the Volume Down button will mute the system).
If there is no sound coming only from the subwoofer	<ul style="list-style-type: none"> • Check if the Subwoofer Volume Control is not turned all the way down using the remote control. • Check if the wireless connection is still active (Blue LED constant in the back of the subwoofer). If the LED is flashing blue, then restart the pairing process. • Move the subwoofer closer to the soundbar. The maximum wireless operation distance is 50 feet (15.3 m).
If the soundbar's sound is distorted	<ul style="list-style-type: none"> • Check the source component to see if the distortion is coming from it, and not from soundbar.
If there is sound from the system, even when the soundbar's volume is turned all the way up	<ul style="list-style-type: none"> • If the TV or source component is connected via a variable output, check its instructions if the output is not turned down too low.
If the bass output is not loud enough	<ul style="list-style-type: none"> • Turn up the subwoofer's volume using the remote control. • Move the subwoofer at a corner of the room. • Move the subwoofer closer to the seating location.
The volume is reset when I turn on the soundbar	<ul style="list-style-type: none"> • This is actually an inbuilt feature of the soundbar. If the soundbar is playing at more than 50 percent of maximum volume and the power is turned off, the volume of the soundbar is automatically reset to 50 percent of the maximum volume when the system is turned ON.

JBL CINEMA SB150

SPECIFICATIONS

- Frequency response: 45Hz – 20kHz
- Maximum SPL: 96dB
- Total Cinema SB150 amplifier power: 150W
- Dolby® Digital Decoding
- Bluetooth® connectivity
- One stereo analog-audio input
- One optical digital input
- One USB port for software update
- Dimensions: Soundbar (L x W x H): 31.5" x 3.5" x 2.5" (801 x 92 x 65.5mm)
Weight: 3.3 lb (1.5kg) Subwoofer (L x W x H): 4.7" x 11.8" x 16.1" (120 x 300 x 409mm)
Weight: 9.2 lb (4.2kg)

Торговая марка	: JBL
Назначение товара	: АКТИВНАЯ АКУСТИЧЕСКАЯ СИСТЕМА
Изготовитель	: ХАРМАН ИНТЕРНЕТШНЛ ИНДАСТРИЗ ИНКОРПОРЕЙТЕД, США, 06901 КОННЕКТИКУТ, г.СТЭМФОРД, АТЛАНТИК СТРИТ 400, ОФИС 1500
Страна происхождения	: Китай
Импортер в Россию	: ООО "ХАРМАН РУС СиАйЭс", РОССИЯ, 127018, г.МОСКВА, УЛ. ДВИНЦЕВ, Д.12, КОРПУС 1
Гарантийный период	: 1 год
Информация о сервисных центрах	: www.harman.com/ru тел. +7-800-700-0467
Срок службы	: 5 лет
Срок хранения	: не ограничен
Условия хранения	: Стандартные при нормальных значениях климатических факторов внешней среды
Номер документа соответствия	: 
Дата производства	: Дата изготовления устройства определяется по двум буквенным обозначениям из второй группы символов серийного номера изделия, следующих после разделительного знака «-». Кодировка соответствует порядку букв латинского алфавита, начиная с января 2010 года: 000000-MY00000000, где «М» - месяц производства (А - январь, В - февраль, С - март и т.д.) и «Y» - год производства (А - 2010, В - 2011, С - 2012 и т.д.).



HARMAN International Industries,
Incorporated 8500 Balboa Boulevard,
Northridge, CA 91329 USA
www.jbl.com

© 2016 HARMAN International Industries, Incorporated. All rights reserved. JBL is a trademark of HARMAN International Industries, Incorporated, registered in the United States and/or other countries. Features, specifications and appearance are subject to change without notice. The Bluetooth® word mark and logos are registered trademarks owned by Bluetooth SIG, Inc. and any use of such marks by HARMAN International Industries, Incorporated is under license. Other trademarks and trade names are those of their respective owners. Manufactured under license from Dolby Laboratories. Dolby and the double-D symbol are trademarks of Dolby Laboratories.